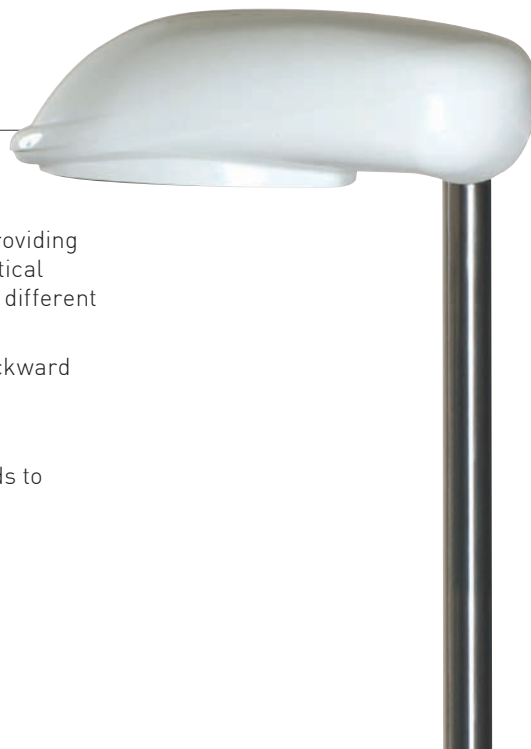




TRIVIUM AL6310



Benefits

- High output road lantern with capacity up to 400W
- 0% ULOR dark skies friendly with flat glass option

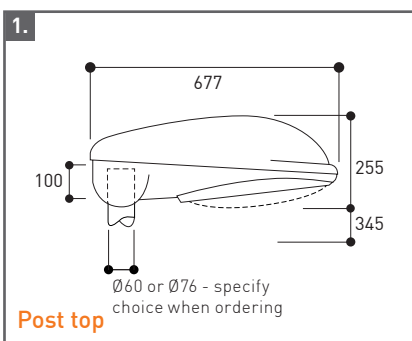
Features

- Die-cast aluminium body finished in a Light Grey polyester powder coating (RAL7024)
- High performance reflector in high purity anodised aluminium
- Available in low profile glass bowl or flat glass option

- Adjustable lamp holder, providing various horizontal and vertical positions to accommodate different lamp types
- Optional shield to limit backward or forward spill light
- Integral control gear
- Upper body hinges upwards to access lamp and gear

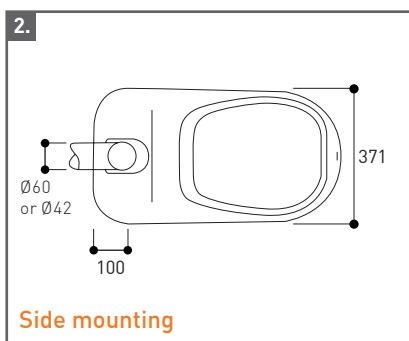
	Lamp wattage and type	Lamp holder	Description	Weight (Kg)	Windage (m ²)
AL6311	70W SON-T 70/100/150W HQI-E	E27	Low profile bowl	6.5	0.155
AL6312	100/150/250/400W SON-T 250/400W HQI-T	E40	Low profile bowl	6.5	0.155
AL6313	70W SON-T 70/100/150W HQI-E	E27	Flat glass	6.5	0.121
AL6314	100/150/250/400W SON-T 250/400W HQI-T	E40	Flat glass	6.5	0.121
AL6399	External shield				

Key features



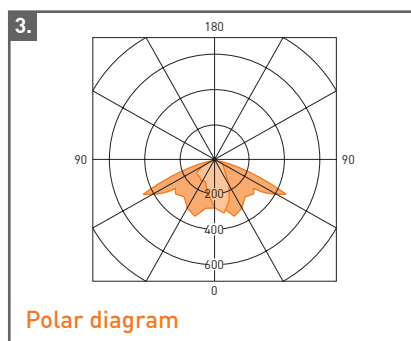
Mounting

Post top mounting onto 60mm/76mm diameter columns
 Mounting height: 4m – 10m
 Side mounting onto 60mm diameter columns



Access

Upper body hinges upwards and locks into position to enable access to lamp and gear



Column options (post top)

	8m	6m	5m
Fixed	TB081/SP	TB060	TB050
Base	T081RLS/SP	T061RLS	T051RLS

All dimensions are in mm.

For column and bracket options, consult the Abacus Lighting column brochure

STRADA AL6210



Benefits

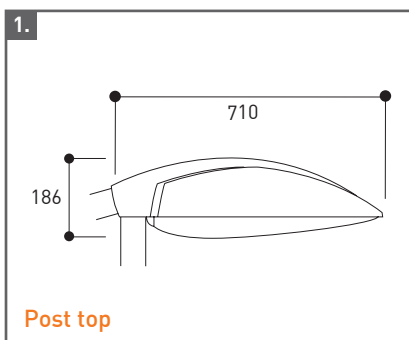
- Great versatility with a wide range of applications from roads to residential areas

Features

- Die-cast aluminium body finished in a Light Grey polyester powder coating (RAL7024)
- High performance reflector in high purity anodised aluminium
- Clear, impact resistant, UV stabilised polycarbonate bowl
- Adjustable lamp holder, providing various horizontal and vertical positions to accommodate different lamp types
- Five lamp size options; 70W up to 150W
- Integral control gear
- Bowl hinges downwards to access lamp and gear

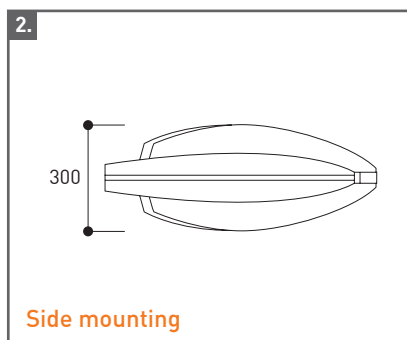
	Lamp wattage and type	Lamp holder	Description	Weight (Kg)*	Windage (m ²)
AL6211	70 SON-T 80/125W HQL 70/100/150W HQI-E	E27	Low profile bowl	7.4	0.104
AL6212	100/150W SON-T	E40	Low profile bowl	8.9	0.104

Key features



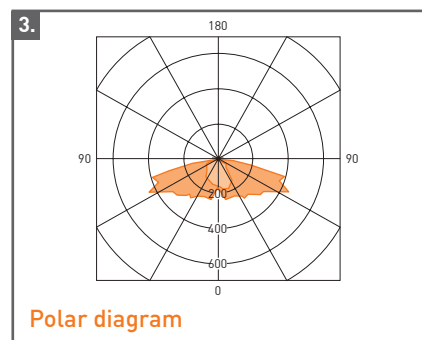
Mounting

Spigot adaptor allowing post top or side entry mounting onto 60/76mm diameter columns
Mounting height: 5m – 10m



Access

Bowl hinges downwards to access



Column options (post top)

	8m	6m	5m
Fixed	TB081/SP	TB060	TB050
Base	T081RLS/SP	T061RLS	T051RLS

TRAJETO AL6410



Benefits

- Great all-rounder for general utility lighting
- Modern design with a sleek silhouette
- Adjustable lamp holder, providing various horizontal and vertical positions to accommodate various lamp types

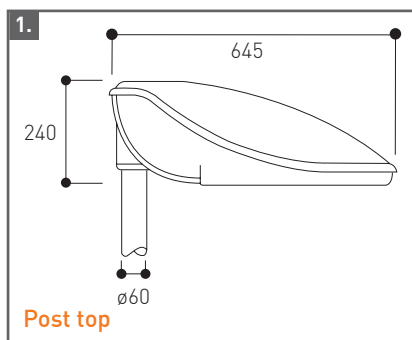
Features

- Die-cast aluminium upper and lower body finished Light Grey polyester powder coated (RAL7035 upper body and RAL7038 lower body)
- One piece reflector in high purity aluminium, chemically anodised and brightened
- Removable pre-wired control gear tray of heat resistant plastic
- Flat glass, 5mm toughened glass with stainless steel closing clip for positive sealing to IP66 (optics/control gear unit)
- Spigot adapter allowing post top or side entry mounting on to 60mm diameter columns and facilitates elevation of road lantern
- Post mounted versions may be set to either 0° to 15° elevation
- Side entry lanterns are elevated at 0° to -15°

	Lamp wattage and type	Lamp holder	Description	Weight (Kg)*	Windage (m ²)
AL6411	70/100W HQI-T 20W SON-T	E27	Flat glass integral gear	7.1	0.113
AL6412	100/150W SON-T	E40	Flat glass integral gear	7.1	0.113
AL6413[†]	250W SON-T	E40	Flat glass integral gear	7.1	0.113

[†]Special version

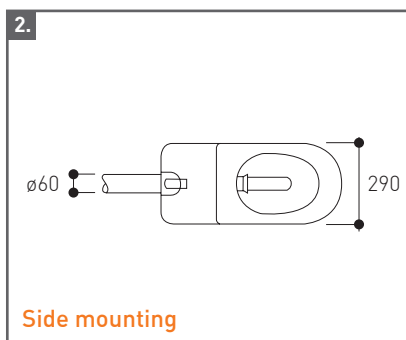
Key features



Post top

Mounting

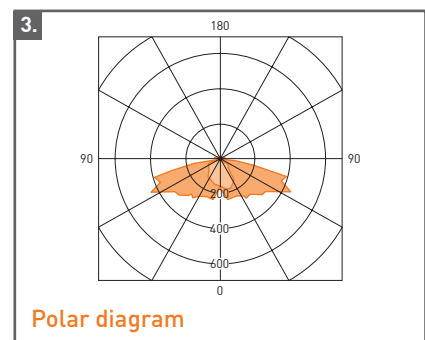
Spigot adapter allowing post top or side entry on to 60mm diameter column or spigot



Side mounting

Access

Upper body hinges upwards and locks into position to enable access to lamp and gear



Polar diagram

Column options (post top)

	10m	8m	5m
Fixed	TB108	TB08.SP1	TB050
Base	T107RLS	T081RLS SP1	T051RLS

All dimensions are in mm. *Max in range.

For column and bracket options, consult the Abacus Lighting column brochure

ATENAS AL6350



Benefits

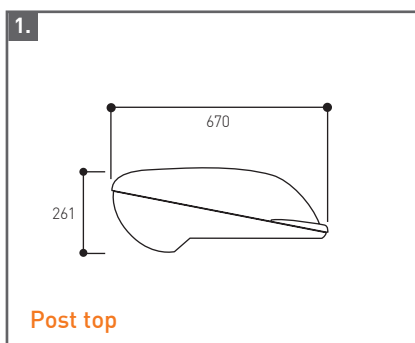
- High performance road optics within a contemporary stylish lantern
- Flat glass for minimum upward light
- Toughened flat glass 5mm thick
- Optional photocell
- Integral control gear

Features

- High pressure die cast aluminium body and door opening sealed to IP65
 - High pressure die cast aluminium upper and lower bodies; adjustable lamp holder providing different vertical and horizontal positions for optimised lamp performance. High purity one-piece aluminium reflector allowing spacing of up to four times column height
 - IP65 protection to both optics and control gear compartment
- Supplied as standard in RAL7011 lower section, RAL9006 upper section

	Lamp wattage and type	Lamp holder	Description	Weight (Kg)*	Windage (m ²)
AL6351	70 SON-T; 70/100/150W MH	E27	Integral control gear	11.5	0.132
AL6352	100/150/250/400W SON-T 250/400W MH	E40	Integral control gear	12	0.132

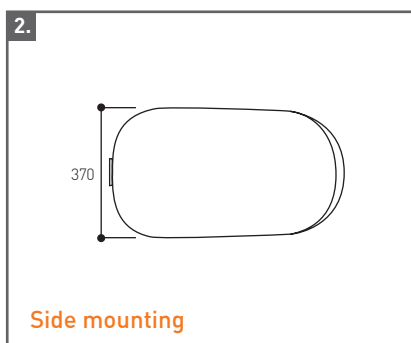
Key features



Post top

Mounting

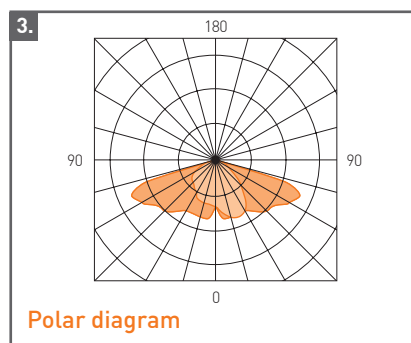
Post top or side mounting onto 60mm column or spigot



Side mounting

Access

Tool free access by means of front opening clasp



Polar diagram

Column options (post top)

8m	6m	5m
Fixed TB081/SP1	TB060/SP1	TB050/SP1
Base T081RLS/SP1	T061RLS/SP1	T051RLS/SP1

All dimensions are in mm. *Max in range.

For column and bracket options, consult the Abacus Lighting column brochure



ROAD LIGHTING

CAMINO AM6500/AM6600



Benefits

- Flexibility from two body options and up to 600W SON-T
- Sealed hydroformed anodised aluminium reflector with curved tempered glass bowl for added performance (IP66 optics)

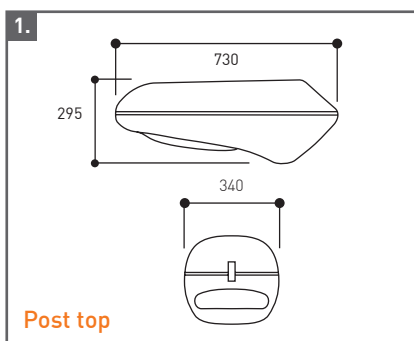
Features

- Die-cast aluminium, with single recessed front clip (IP44 housing)
- Finished Light Grey polyester powder coating (RAL7035)
- Integral or remote control gear versions

	Lamp wattage and type	Lamp holder	Description	Weight (Kg)*	Windage (m ²)
AM6501	70W SON-T	E27	Small body integral gear	12.0	0.15
	100W SON-T	E40		12.1	
	150W SON-T	E40		12.4	
	250W SON-T	E40		13.5	
	250W HQI-T	E40		13.5	
AM6502	70/100/150/250W SON-T	E40	Small body loose gear	9.1 ⁺	0.15
	250W HQI-T	E40		9.1	
AM6601	150W SON-T	E40	Large body integral gear	15.9	0.20
	250W SON-T	E40		17.1	
	400W SON-T	E40		18.0	
	600W SON-T	E40		20.5	
	250/400W HQI-T	E40		18.0	
AM6602	150/250/400/600W SON-T	E40	Large body loose gear	12.8 ⁺	0.20
	250/400W HQI-T	E40			

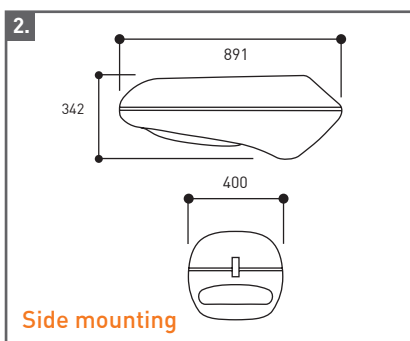
*Weight excluding control gear

Key features



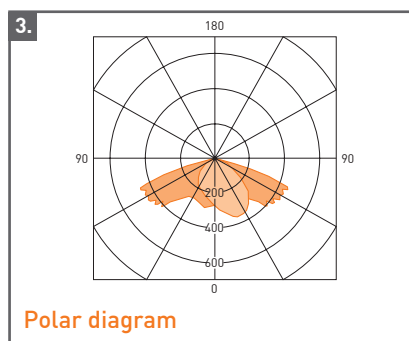
Mounting

Re-positionable and adjustable steel column clamping bracket for side entry (50mm/60mm) or post top fixing (60mm/76mm)



Access

Access to optics by releasing single recessed front clip and raising canopy



Column options (post top)

	10m	8m	5m
Fixed	TB108	TB08.SP1	TB050
Base	T107RLS	T081RLS SP1	T051RLS

All dimensions are in mm. *Max in range.

For column and bracket options, consult the Abacus Lighting column brochure